

POWER INFORMATION

Input Voltage: 100-240 V AC
 Input Frequency: 50/60 Hz
 Amperage: 0.16-0.06 A
 Electric Consumption: 16 W
 Plug: Country-specific

SIZING INFORMATION

-specified by volume or odor sources-
 AC-05: small, single closet
 AC-10: small to medium, ≤3 odor sources
 AC-20: medium, ≤6 odor sources
 AC-30: large, >6 odor sources
 -high trafficked areas may require a larger model-
 -large areas may require multiple units-

FEATURES

Wall Plug or Mains Installation
 13 foot Power Cord (4 meters)
 Ceiling or Wall Mount Kit
 Space Saving Design

APPLICATIONS

Animal Odor Removal
 Care Homes/Nursing Homes
 Food Storage
 Garbage/Rubbish Collection
 Gymnasiums
 Odor Abatement
 Restrooms/Washrooms
 Smoke Removal

WARRANTY

Warranty valid in United States and Canada.
 Contact factory for warranty in other countries.
 One year Parts and Labor on entire unit.

Product Certifications:



AirCare System



AC-30
 Top View Shown



AC-30
 Side View Shown



AC-30
 End View Shown

- Eliminate odors, smoke, and chemicals
- Reduce bacteria, viruses, mold, and other micro-contaminants
- Improve the hygiene in the air and on surfaces
- Certified to be safe, proven to be effective
- Designed specifically for Restrooms/Washrooms – and more
- Portable or fixed installations
- Completely automated and chemical-free
- Maintenance free – requires simple annual UV lamp replacement(s)

© BioZone Scientific International, Inc.

7751 Kingspointe Parkway
 Suite 124
 Orlando, FL 32819
 USA



AirCare 05, 10, 20, 30
Product Family: AirCare
Model: AC-05, AC-10, AC-20, AC-30
Description: Air and Surface Purifier



REORDER INFORMATION

Replacement UV Lamps

- AC-05: 10-08010
- AC-10: 10-08025
- AC-20: 10-08050
- AC-30: 10-08100

SPECIFICATIONS

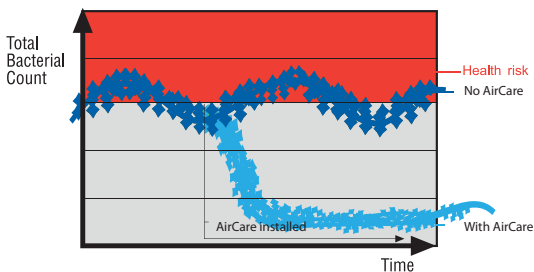
- Length: 16.2"
- Width: 5.2"
- Height: 3.65"
- Weight: 2.5 lbs
- Power Cord Length: 13'

CONTENTS

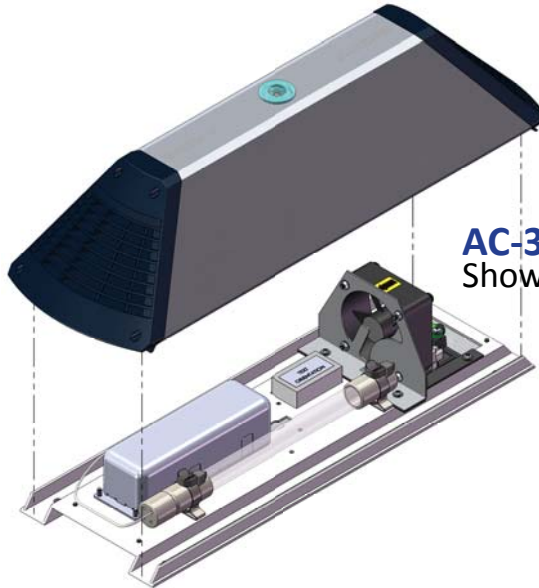
- AirCare
- UV Lamp (pre-installed)
- Owner's Manual and Installation Guide
- Lock Key
- Wall Anchor (optional)
- Mounting Screws (optional)

Validation Studies

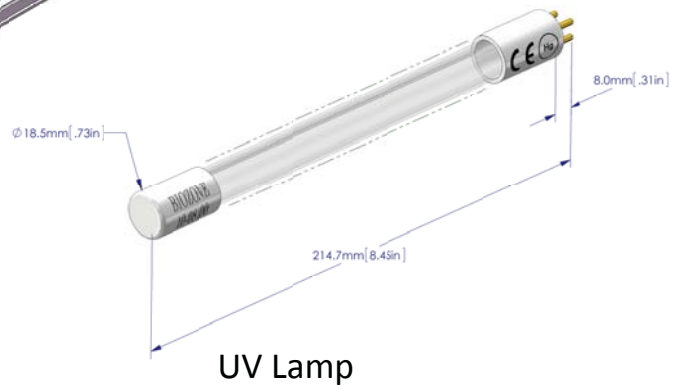
- BioZone Technology is shown to reduce:
- >99.999% of surface E. coli^{1,2}
- >99.999% of surface Listeria²
- 100% of surface Salmonella²
- 98.24% of airborne bacteria³
- 100% of airborne H₂S⁴
- >99.999 of Avian Influenza Virus (H5N2)⁵
- >99.999 of Parainfluenza Virus (hPIV-3)⁵



1 Test performed by Pennsylvania State University
 2 Test performed by Tri-Tech Analytical Laboratories
 3 Test performed by LAWN Environmental Ltd
 4 Test performed by SMQ Academy
 5 Test performed by CNRS



AC-30 with cover removed Shown



UV Lamp



AC-30 Shown



© BioZone Scientific International, Inc.

7751 Kingspointe Parkway
 Suite 124
 Orlando, FL 32819
 USA

